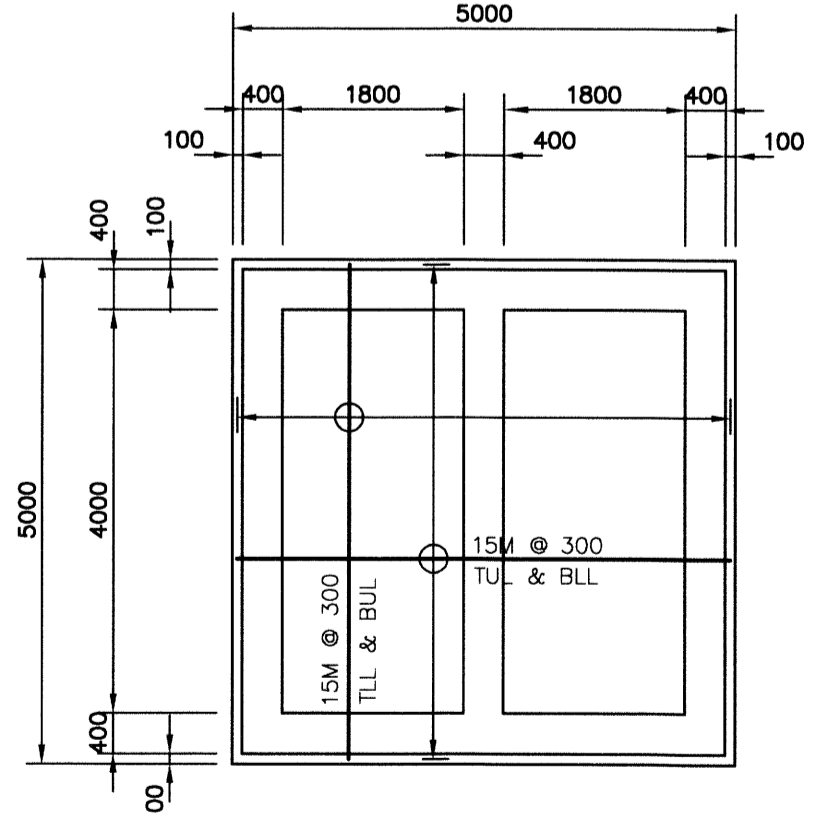
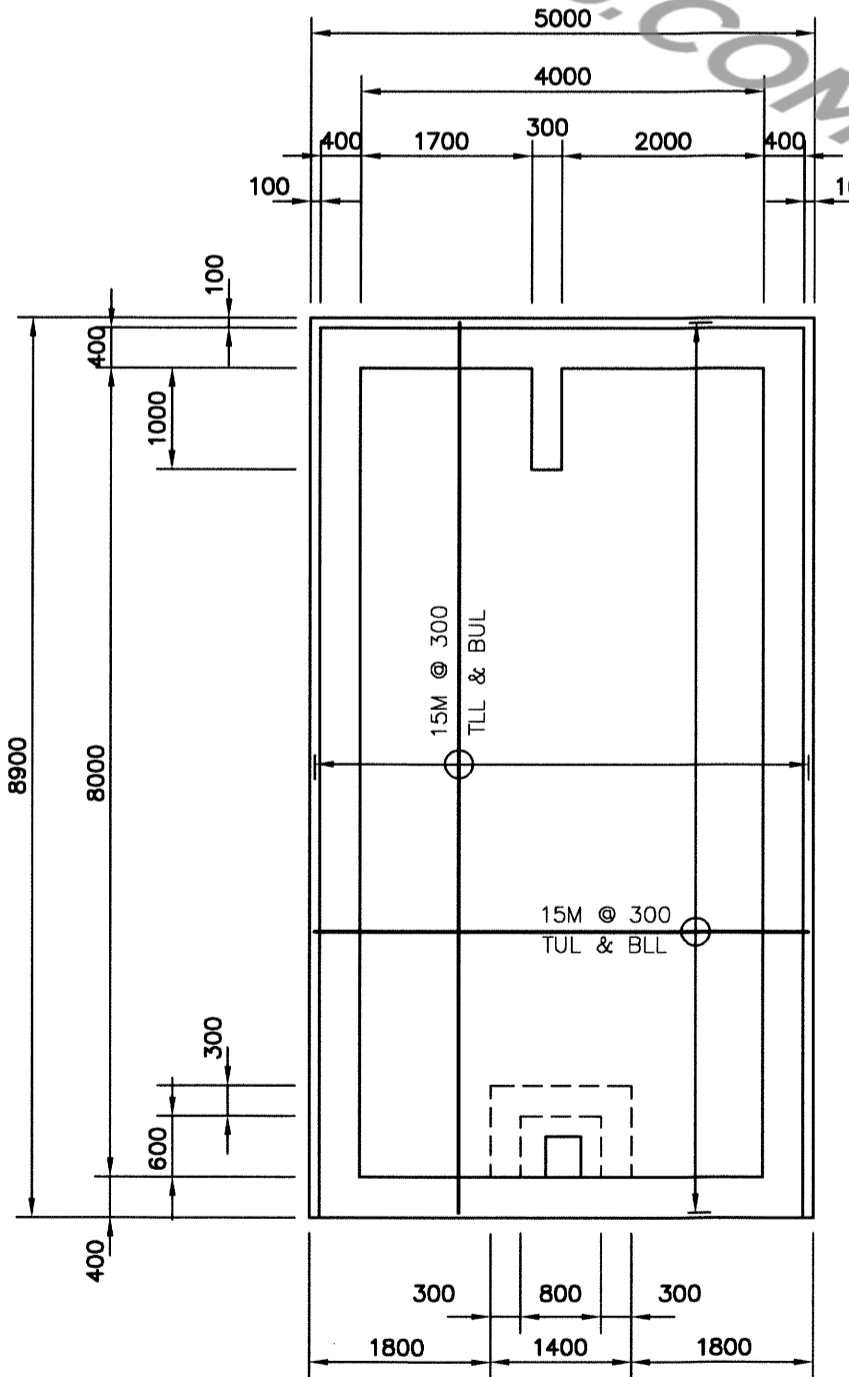


**SLAB AT ELEV. 206.550 (VARIES)**

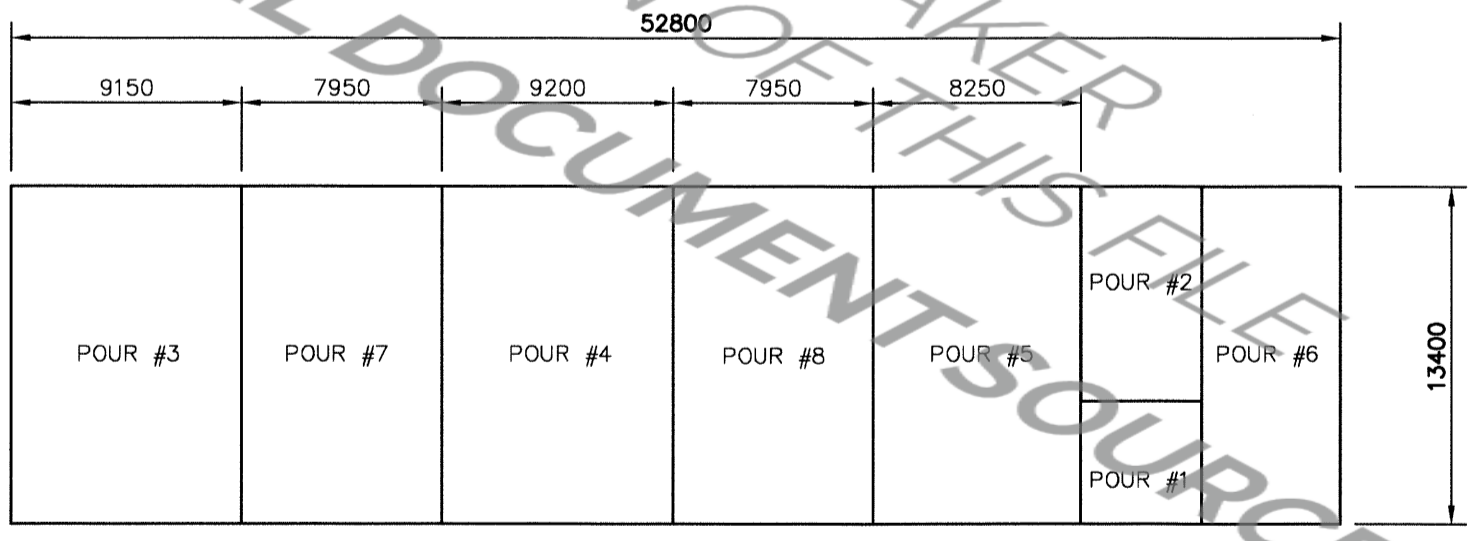
SCALE: 1 : 75  
 \* - DENOTES TOP OF SLAB EL. 206.550 UNLESS NOTED OTHERWISE.  
 ALL SUMPS ARE 500 x 500 x 800 DP. UNLESS NOTED OTHERWISE.  
 DEPTH OF SLAB VARIES FROM 600mm TO 750mm AS INDICATED BY SLOPE.



**SLAB AT ELEV. 203.750**  
 SCALE: 1 : 75  
 - SLAB THICKNESS TO BE 400mm

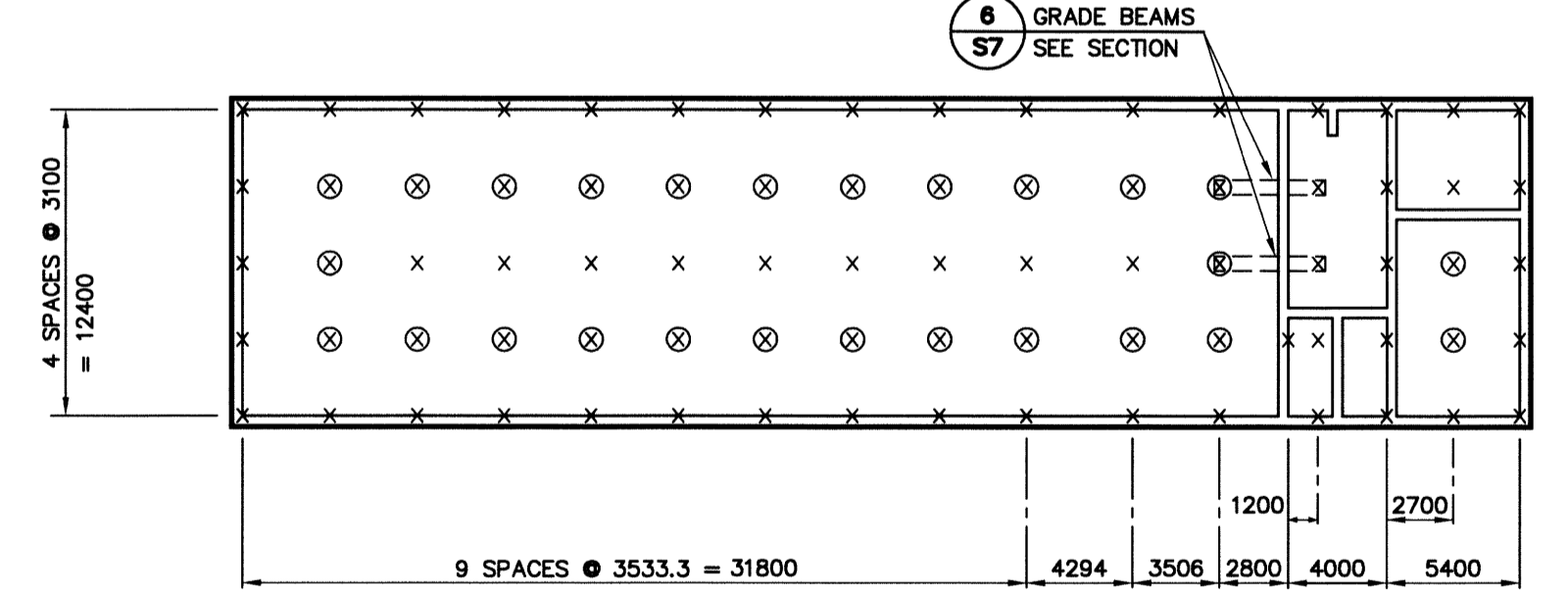


**SLAB AT ELEV. 205.750**  
 SCALE: 1 : 75  
 - SLAB THICKNESS TO BE 400mm



NOTE:  
 1. ANY SEQUENCE OF POURS FROM 3 TO 6 MAY BE DONE AT ONE TIME.  
 2. ANY SEQUENCE OF POURS FROM 7 TO 8 MAY BE DONE AT ONE TIME.

**POUR SEQUENCE**  
 SCALE: 1 : 300



x - PILE DETAIL 'A'  
 ⊗ - PILE DETAIL 'B'  
 SEE 'STANDARD DETAILS'

**PILE LAYOUT**  
 SCALE: 1 : 300

- NOTES
- FOR GENERAL NOTES SEE DRAWING 192170-S2 .
  - SEE 'STANDARD DETAILS' SHEET FOR APPLICABLE SUMP DETAIL .
  - DIMENSIONS ARE IN MILLIMETRES AND ELEVATIONS ARE IN METRES UNLESS OTHERWISE SPECIFIED .

AS CONSTRUCTED DRAWINGS			
COMPILED BY	P.D.	DATE	AUG. 1994
CHECKED BY	M.P.F.	DATE	NOV. 1994
DRAWN BY	R.F.N.	DATE	NOV. 1994
CHECKED BY	T.J.S.	DATE	NOV. 1994

NO.	REVISIONS	DATE	INITIAL
2	REVISED AS CONSTRUCTED	NOV/94	T.J.S.
1	PRE-TENDER REVISIONS	JAN/92	T.J.S.

APPROVED

**VILLAGE OF ELMVALE**  
 SEWAGE TREATMENT WORKS EXPANSION  
 DIRECT GRANT SEWAGE WORKS PROJECT No. 3-0698-02  
 CONTRACT No. 3

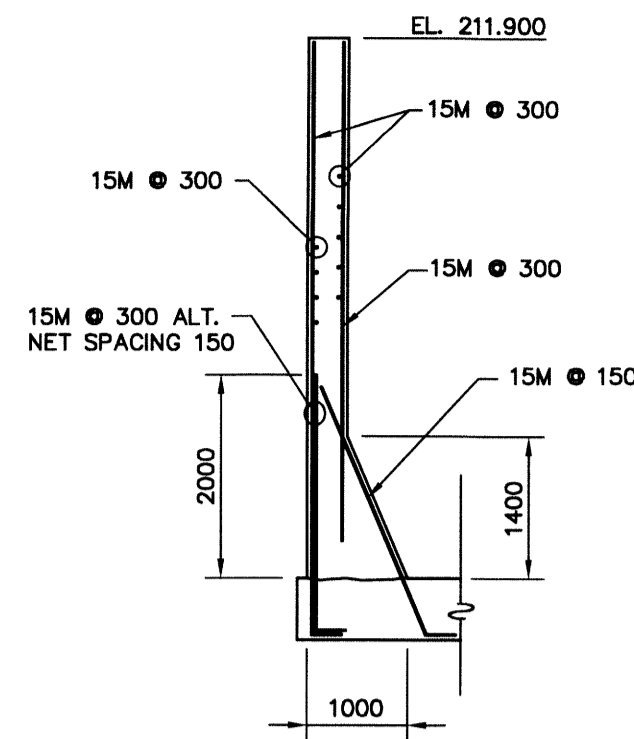
**Ainley and Associates Limited**  
 Consulting Engineers and Planners  
 Collingwood - Barrie - Belleville - Ottawa

**DIGESTER COMPLEX**  
 GENERAL PLANS

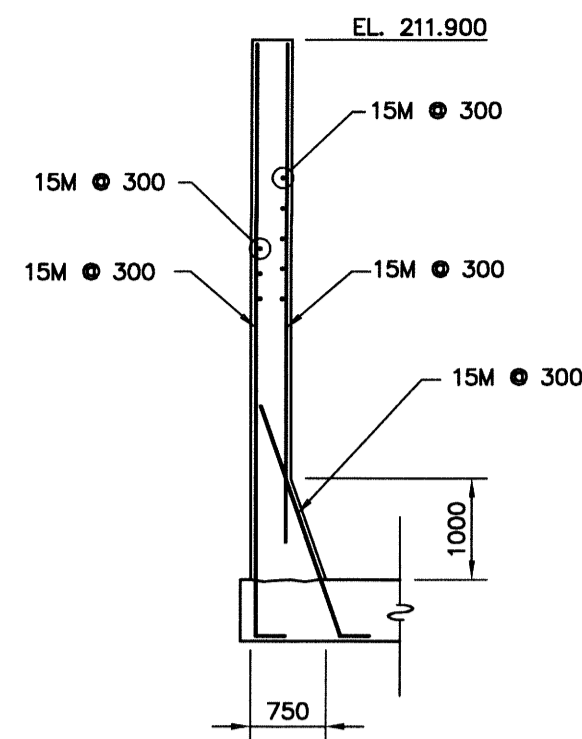
SCALE: AS SHOWN

DESIGN: V.W.S. CHECKED: T.J.S.  
 DRAWN: A.A.W. DATE: DEC/92

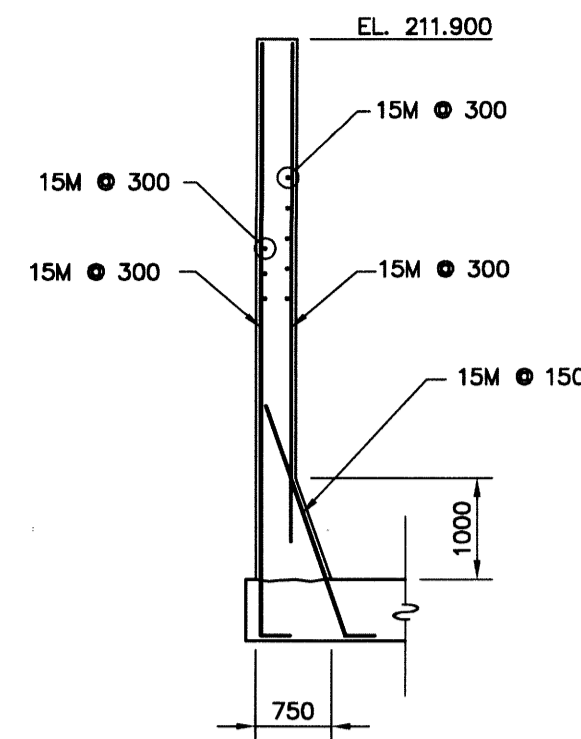
DWG. 192170-S7AC



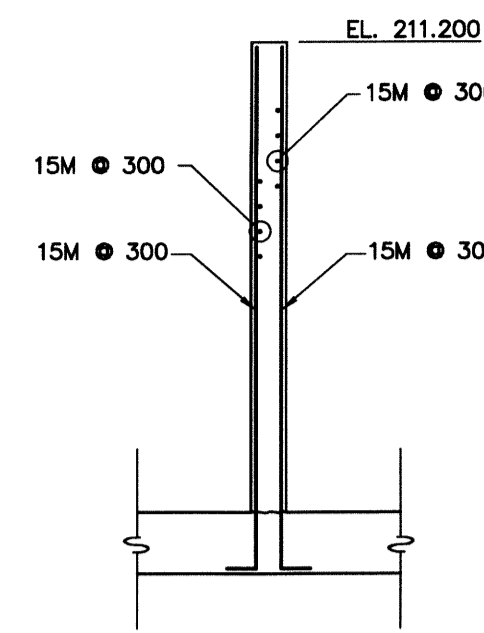
SECTION 1  
S7



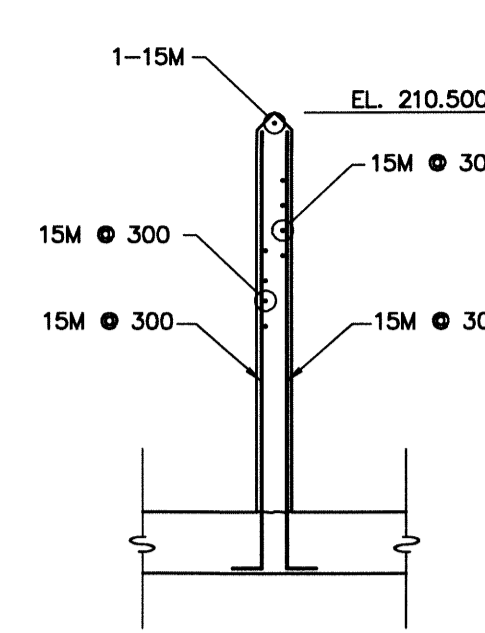
SECTION 2  
S7



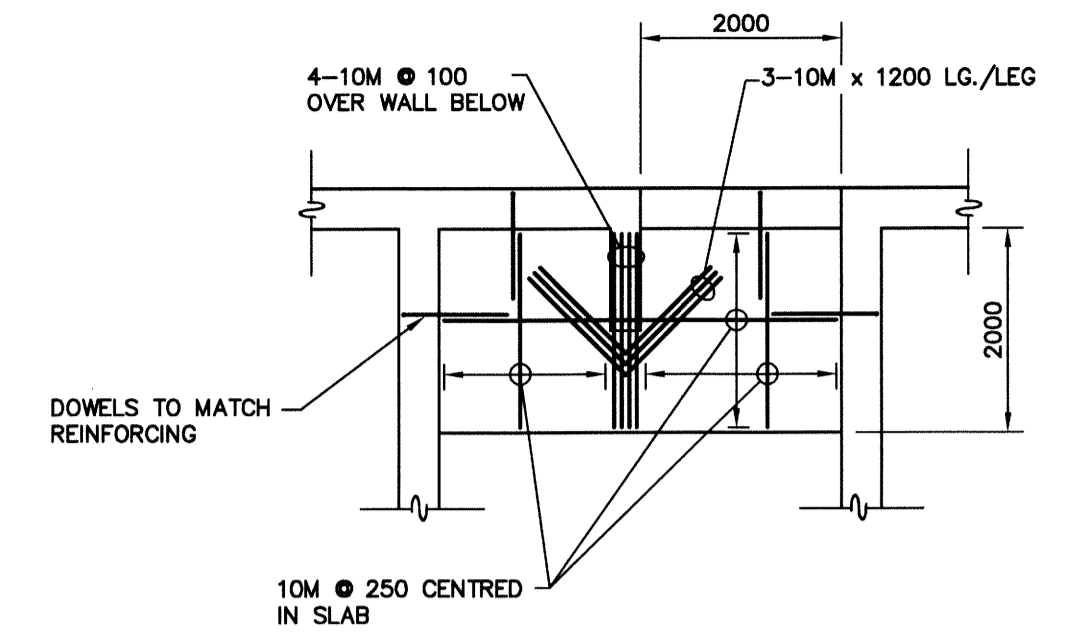
SECTION 2A  
S7



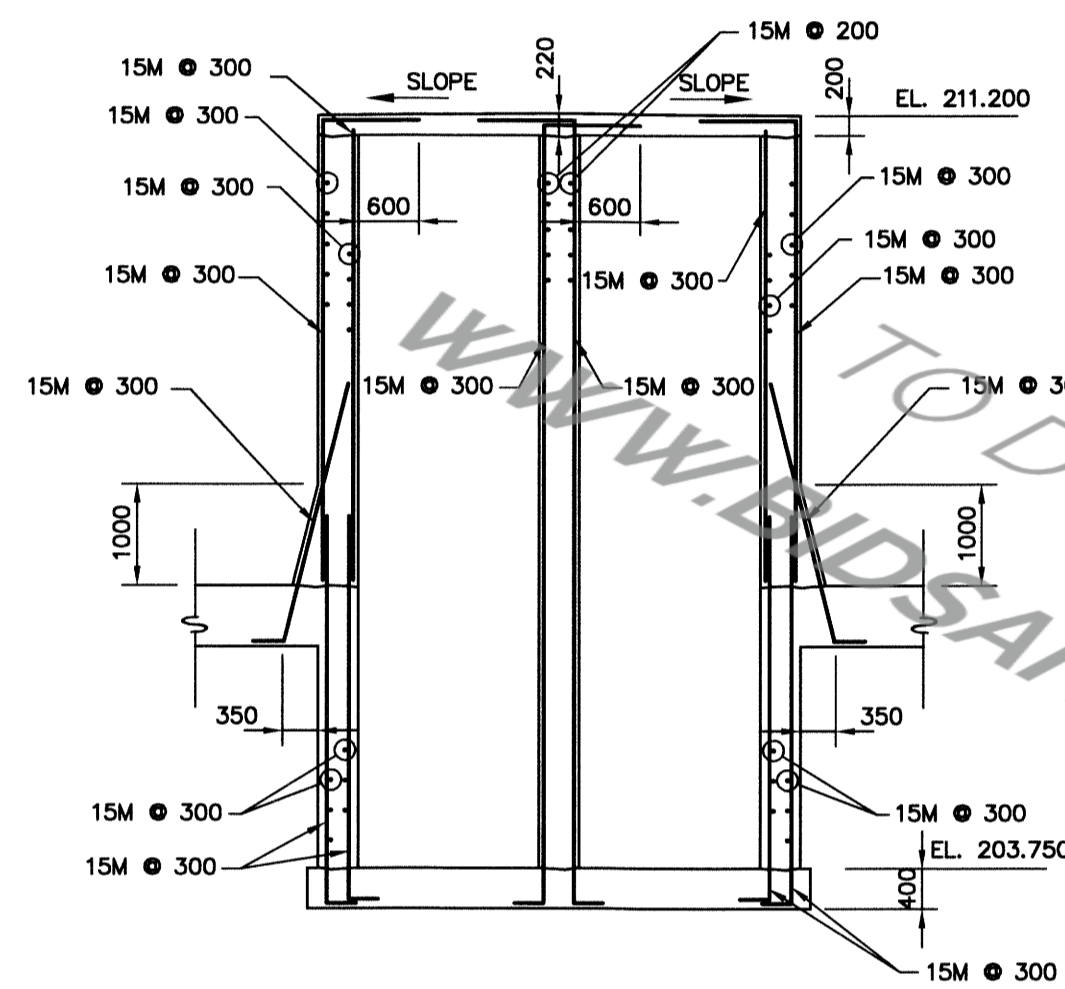
SECTION 3  
S7



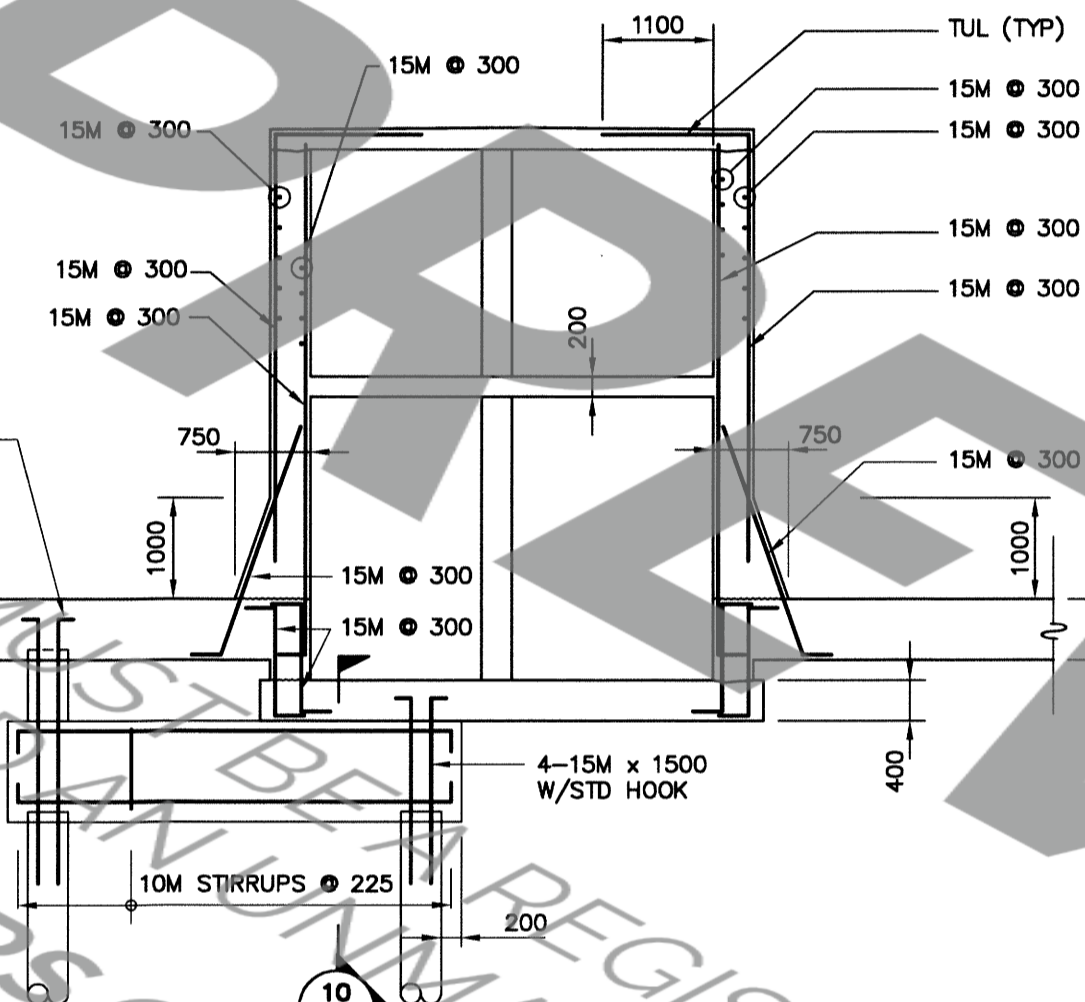
SECTION 4  
S7



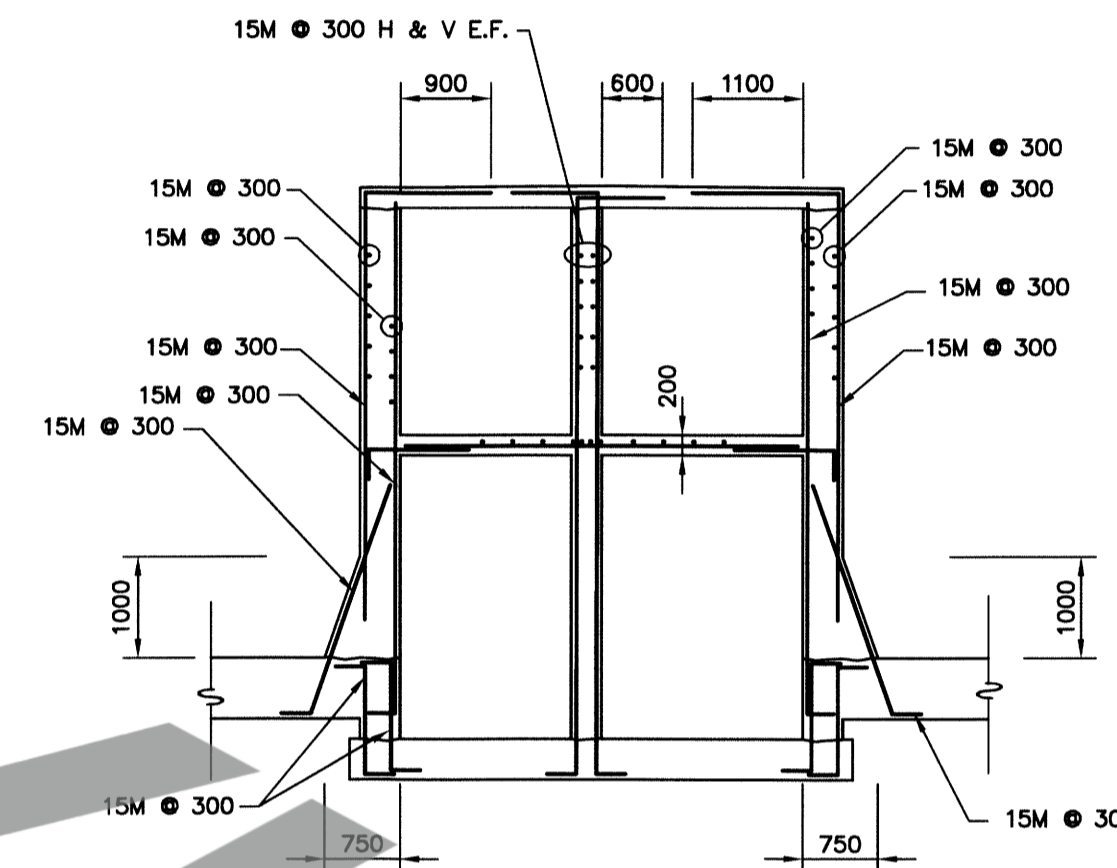
LANDING AT EL. 208.700  
DESIGN LIVE LOAD = 4.8 kPa



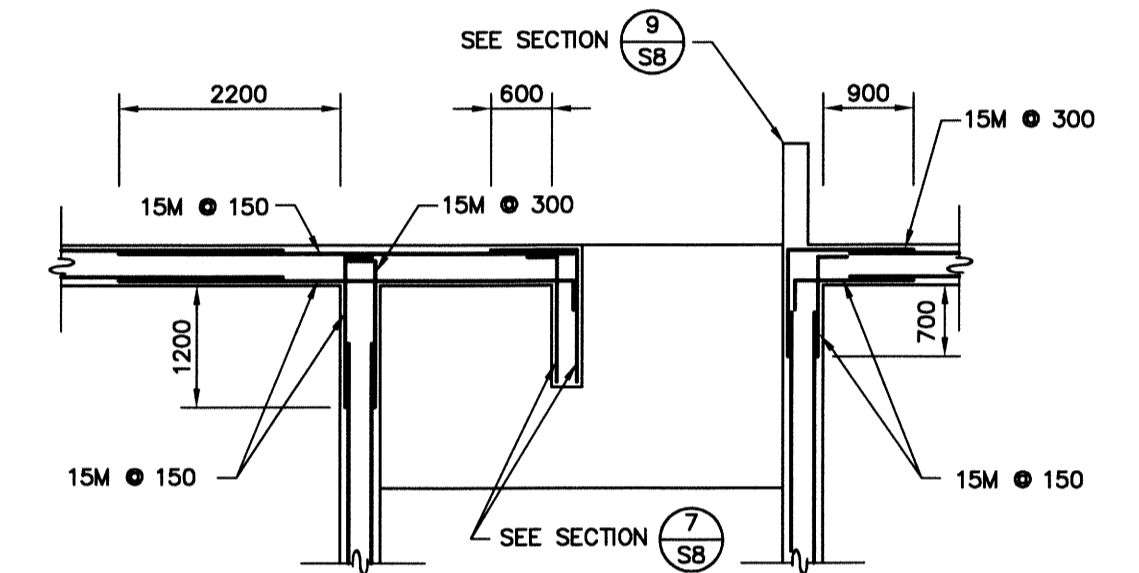
SECTION 5  
S7  
TOP SLAB CROSSFALL IS TYPICAL OVER SLAB LENGTH



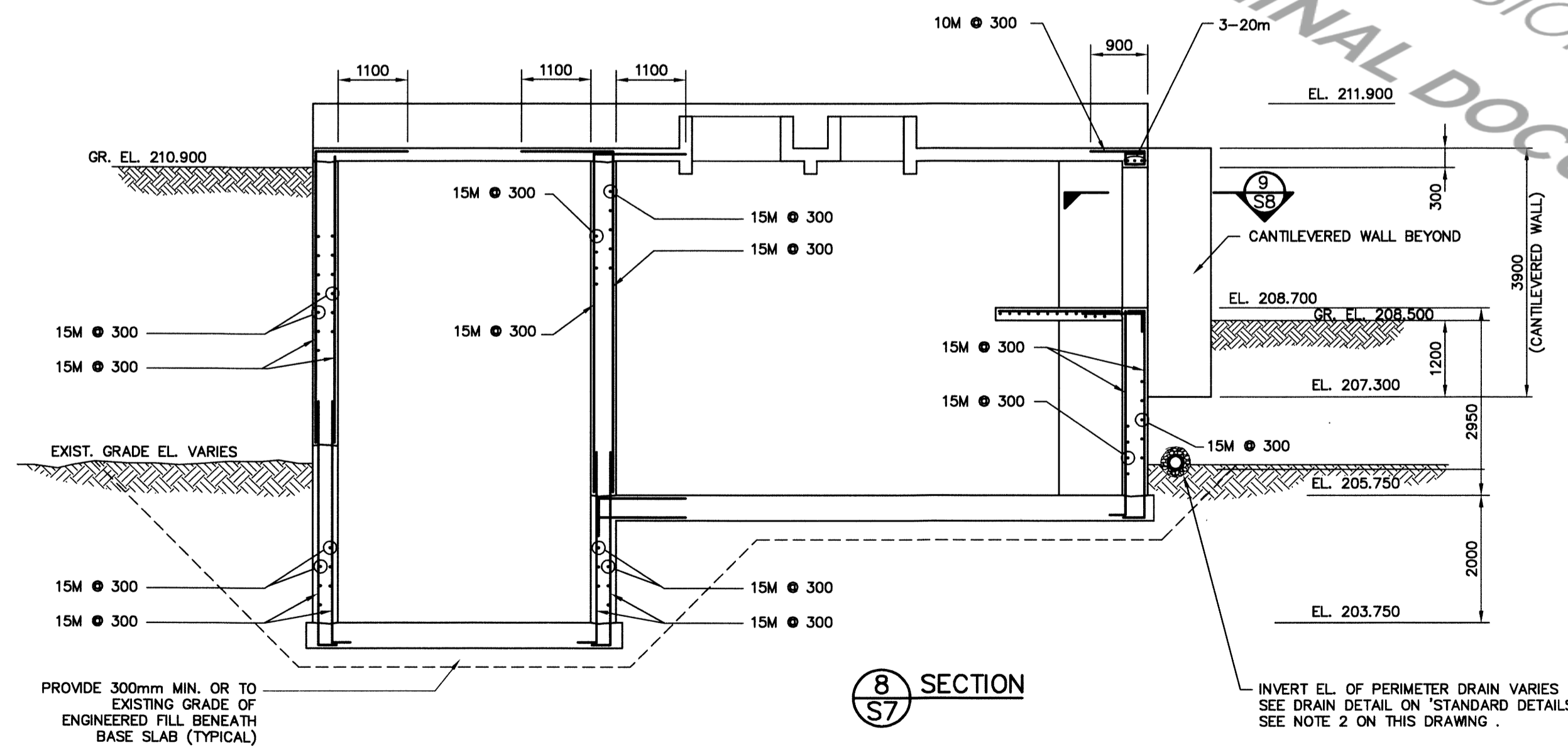
SECTION 6  
S7



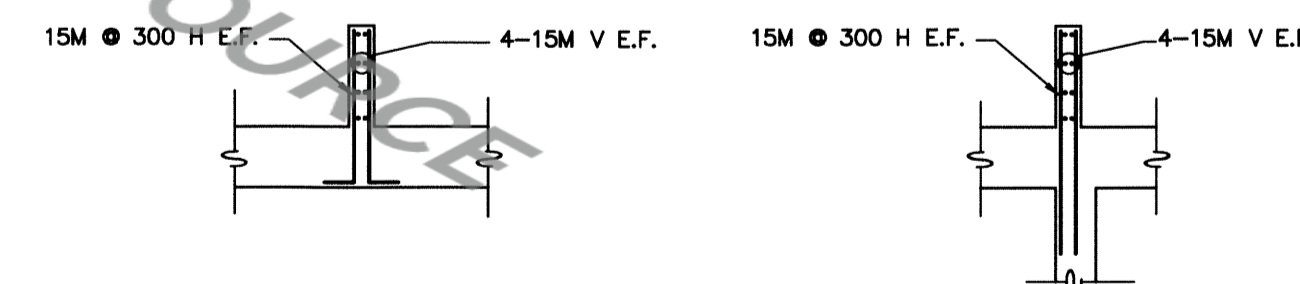
SECTION 7  
S7  
SUMPS NOT SHOWN FOR CLARITY



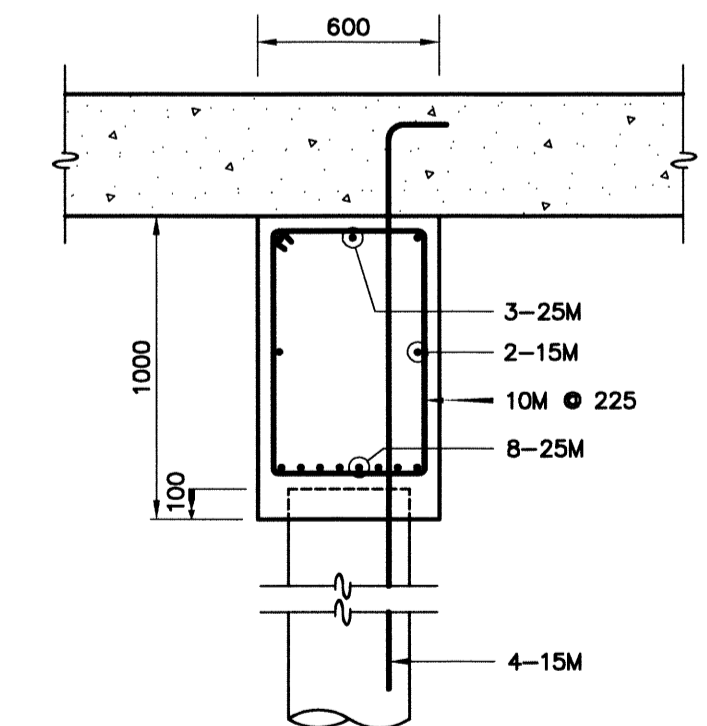
HORIZONTAL REINFORCING - CORNERS ABOVE LANDING AT EL. 208.700  
PART PLAN



SECTION 8  
S7



SECTION 9  
S8  
CANTILEVERED WALL



SECTION 10  
S8  
SCALE: 1:25

- NOTES
- FOR GENERAL NOTES SEE DRAWING 192170-S2.
  - PERIMETER DRAIN OR ENGINEERED FILL PERTAINS TO ALL APPLICABLE SECTIONS BUT IS NOT ALWAYS DRAWN AND/OR LABELLED FOR CLARITY. SEE DRAWING 192170-G3 FOR PLAN LOCATION.
  - DIMENSIONS ARE IN MILLIMETRES AND ELEVATIONS ARE IN METRES UNLESS OTHERWISE SPECIFIED.
  - NOT ALL REINFORCING SHOWN IN SECTIONS FOR CLARITY.

AS CONSTRUCTED DRAWINGS

COMPILED BY	P.D.	DATE	AUG. 1994
CHECKED BY	M.P.F.	DATE	NOV. 1994
DRAWN BY	R.F.N.	DATE	NOV. 1994
CHECKED BY	T.J.S.	DATE	NOV. 1994

NO.	REVISIONS	DATE	INITIAL
2	REVISED AS CONSTRUCTED	NOV/94	T.J.S.
1	PRE-TENDER REVISIONS	JAN/92	T.J.S.

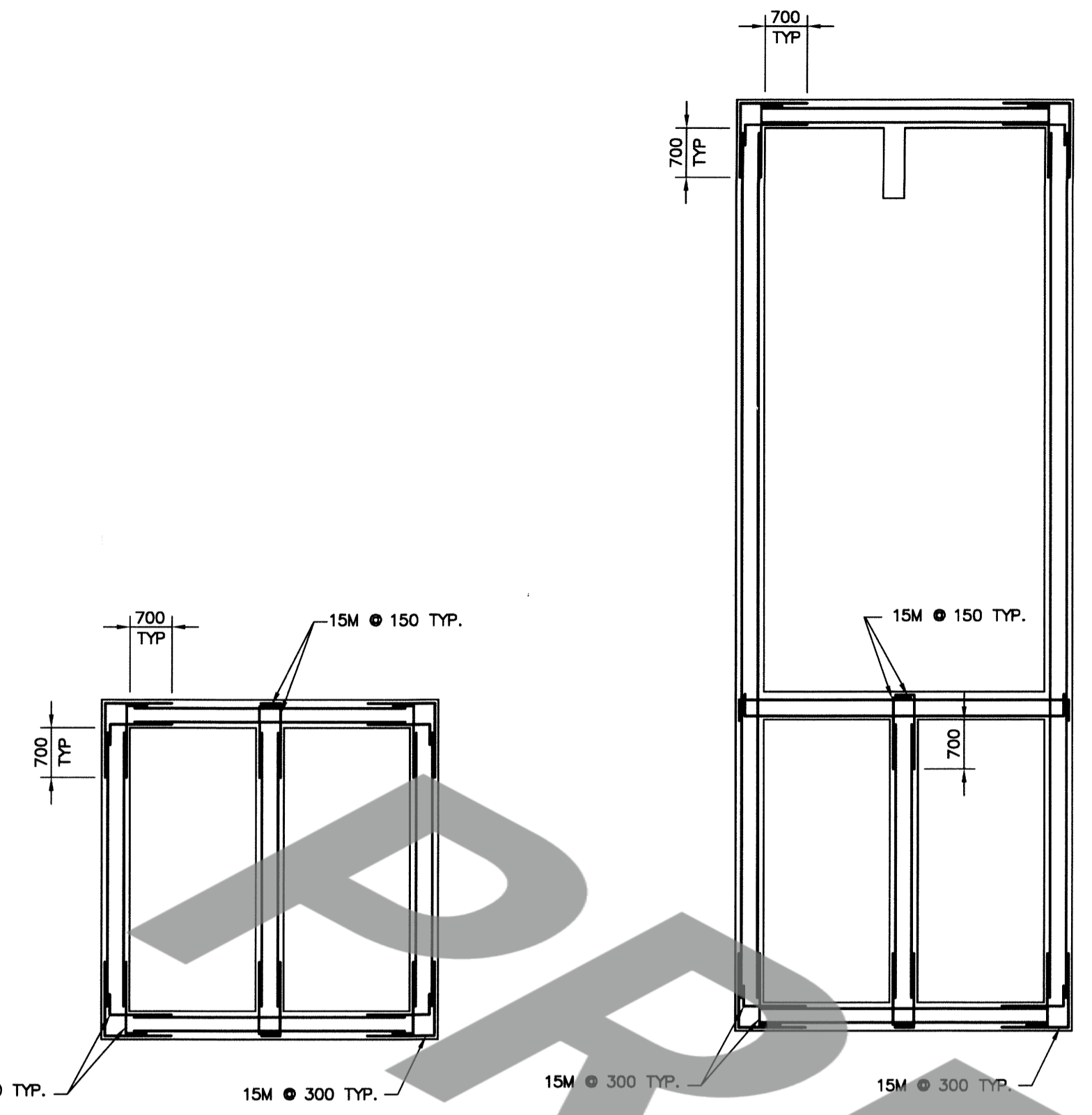
APPROVED

VILLAGE OF ELMVALE  
SEWAGE TREATMENT WORKS EXPANSION  
DIRECT GRANT SEWAGE WORKS PROJECT No. 3-0698-02  
CONTRACT No. 3

DIGESTER COMPLEX  
SECTIONS AND DETAILS

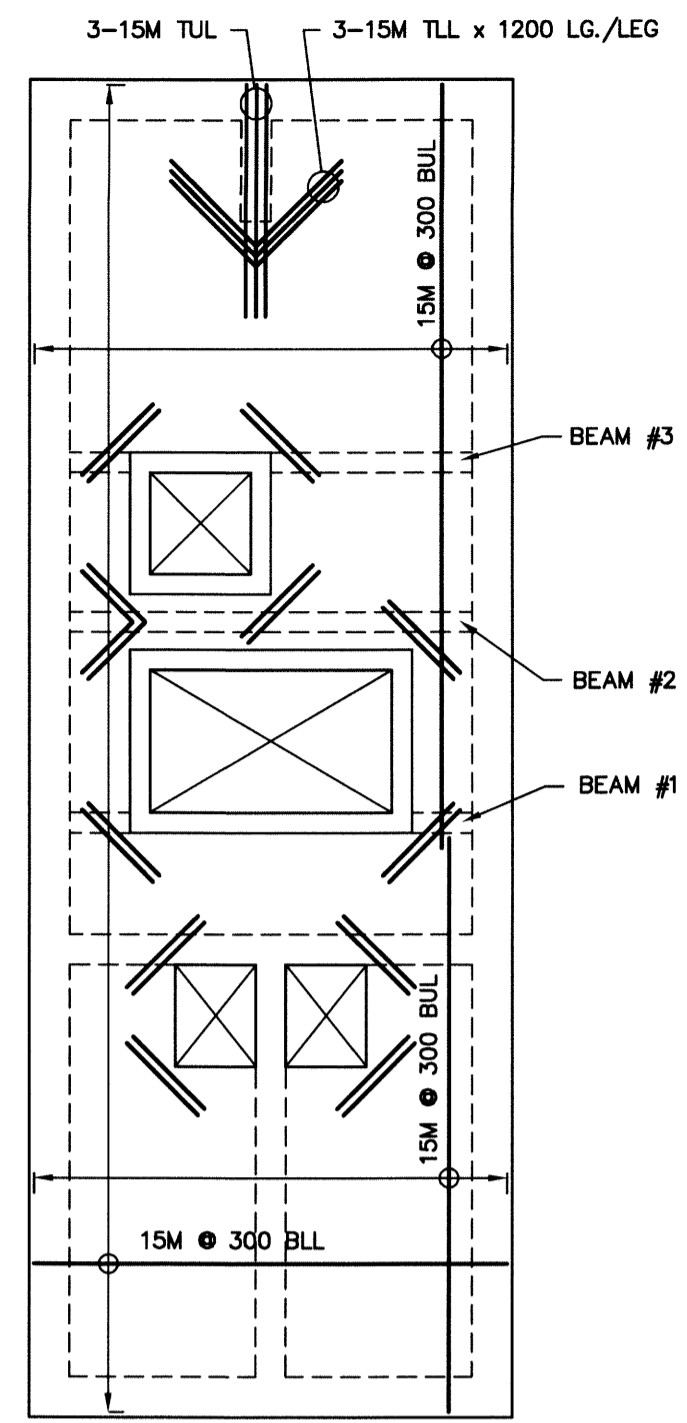
**Ainley and Associates Limited**  
Consulting Engineers and Planners  
Collingwood - Barrie - Belleville - Ottawa

SCALE: 1:75 or AS SHOWN	CHECKED: T.J.S.	DWG. 192170-SBAC
DESIGN: V.W.S.	DATE: DEC/92	



HORIZ. REINF. PLAN - CORNERS

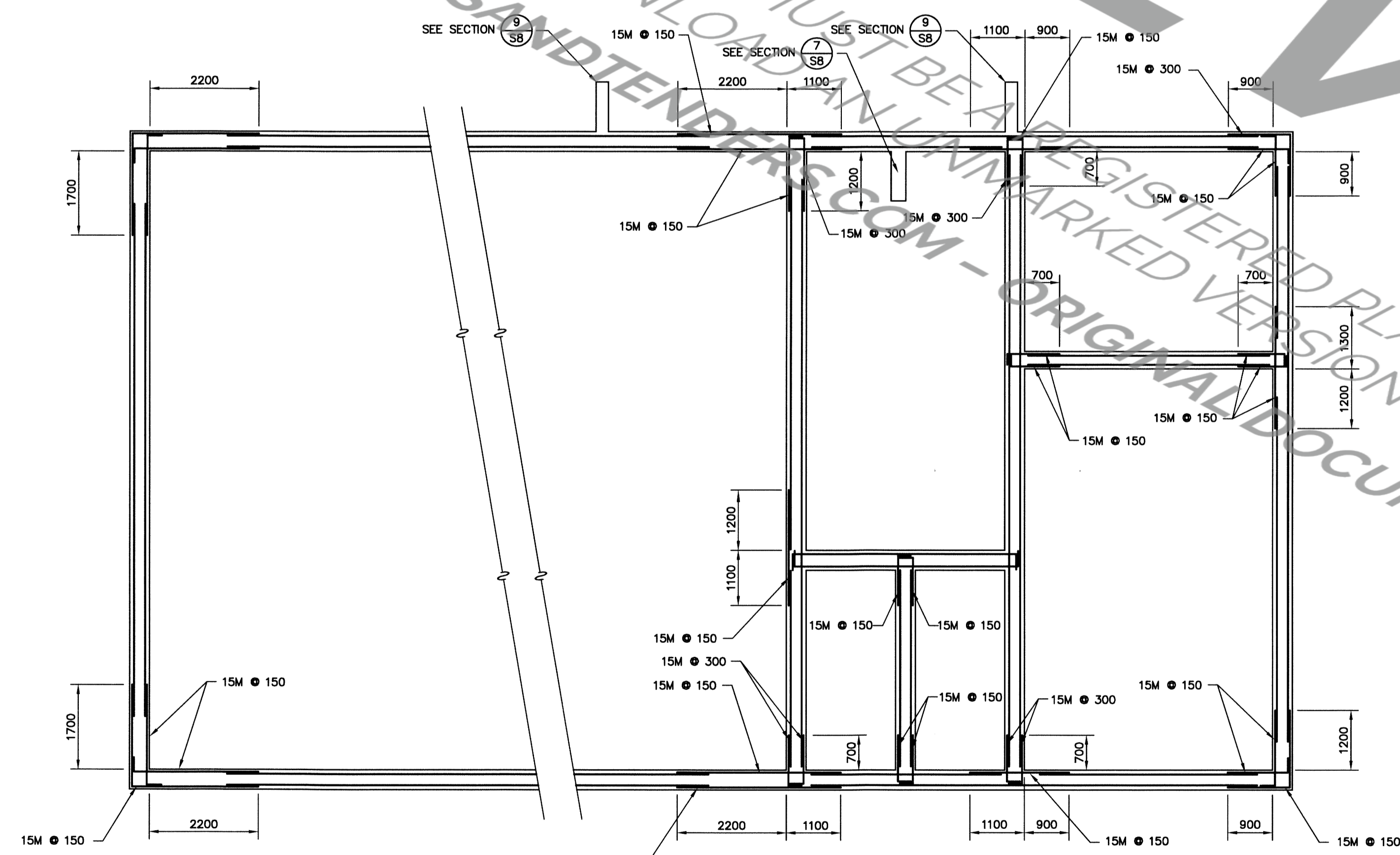
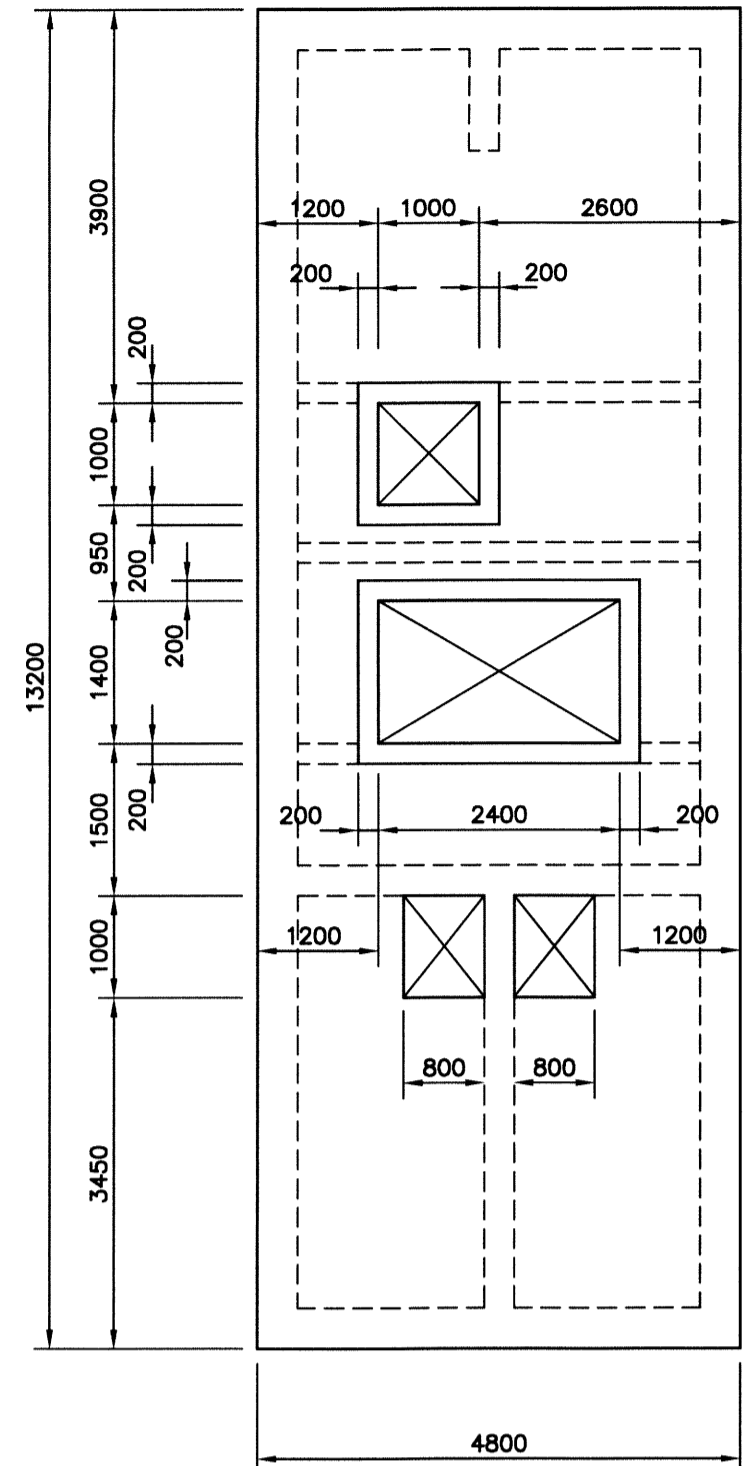
HORIZ. REINF. PLAN - CORNERS



TOP SLAB

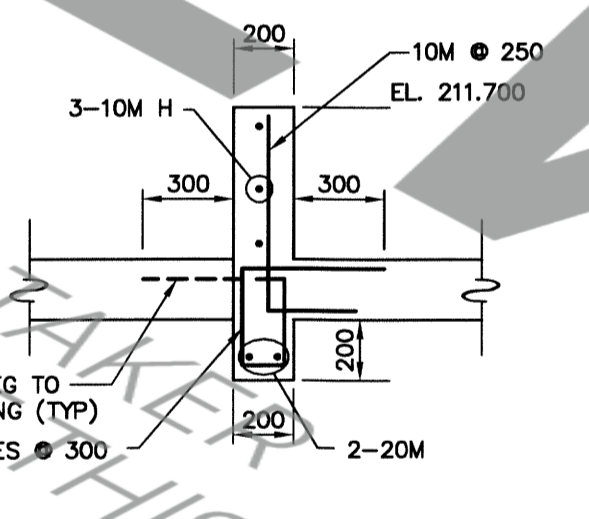
PROVIDE 2-15M x 1000 LG. T & B DIAGONAL BARS AROUND OPENINGS AS SHOWN

- TOP OF SLAB IS SLOPED, SEE APPLICABLE SECTIONS  
- DESIGN LIVE LOAD = 4.8 kPa



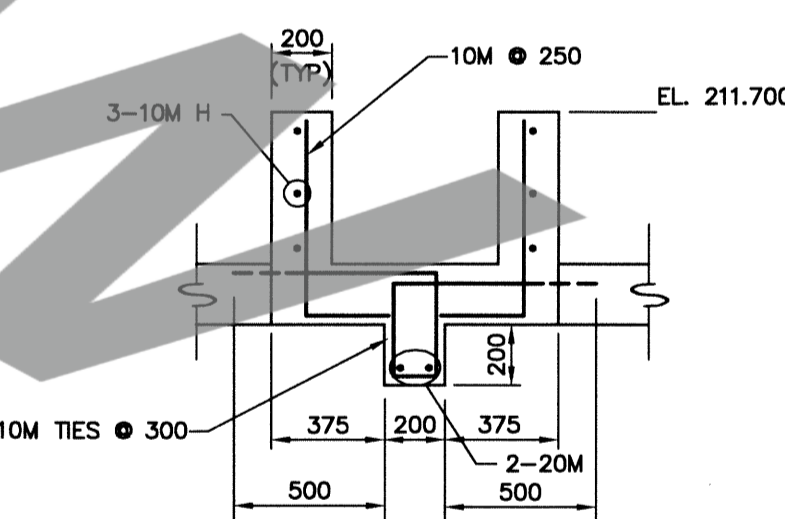
HORIZ. REINF. PLAN - CORNERS

1. EL. 206.550 TO EL. 211.200
2. CORNER REINFORCING NOT SHOWN OR DIMENSIONED SHALL BE AS PER WALL REINFORCING OR TYPICAL CORNER DETAILS
3. CORNER REINFORCING TO MATCH WALL REINFORCING AND TYPICAL CORNER/INTERSECTION DETAIL ON 'STANDARD DETAILS' DRAWING AT EL. 211.200 TO EL. 211.900



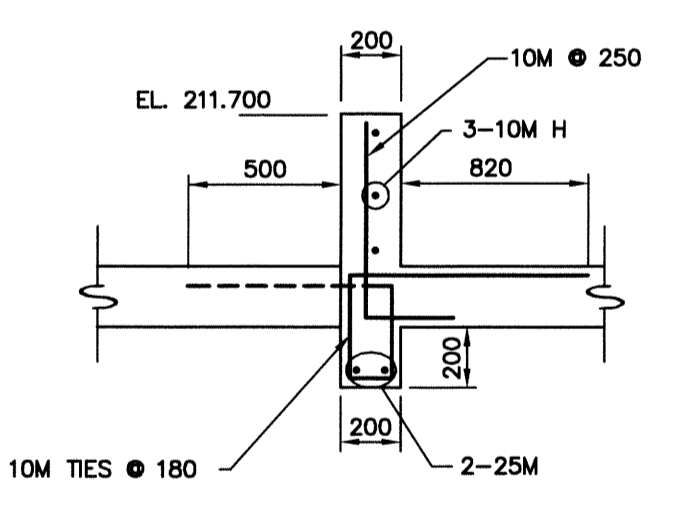
BEAM #1

ALL SECTIONS NOT SHOWN  
SCALE: 1:25



BEAM #2

ALL SECTIONS NOT SHOWN  
SCALE: 1:25



BEAM #3

ALL SECTIONS NOT SHOWN  
SCALE: 1:25

BEAM REINFORCEMENT

NOTES  
1. PROVIDE 150mm EMBEDMENT AT THE ENDS OF BEAMS INTO SUPPORTING WALLS AND/OR BEAMS.  
2. DIMENSIONS ARE IN MILLIMETRES AND ELEVATIONS ARE IN METRES UNLESS OTHERWISE SPECIFIED.

AS CONSTRUCTED DRAWINGS			
COMPILED BY	P.D.	DATE	AUG. 1994
CHECKED BY	M.P.F.	DATE	NOV. 1994
DRAWN BY	R.F.N.	DATE	NOV. 1994
CHECKED BY	T.J.S.	DATE	NOV. 1994

NO.	REVISIONS	DATE	INITIAL
2	REVISED AS CONSTRUCTED	NOV/94	T.J.S.
1	PRE-TENDER REVISIONS	JAN/92	T.J.S.

APPROVED

VILLAGE OF ELMVALE  
SEWAGE TREATMENT WORKS EXPANSION  
DIRECT GRANT SEWAGE WORKS PROJECT No. 3-0698-02  
CONTRACT No. 3

DIGESTER COMPLEX  
DETAILS

**Ainley and Associates Limited**  
Consulting Engineers and Planners  
Collingwood - Barrie - Belleville - Ottawa

SCALE: 1:75 OR AS NOTED

DESIGN: V.W.S. CHECKED: T.J.S. DATE: DEC/92

DRAWN: A.A.W. DWG. 192170-S9AC